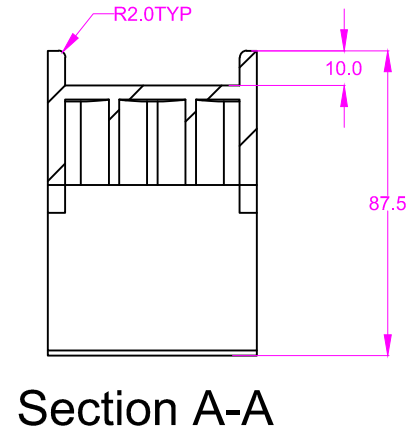
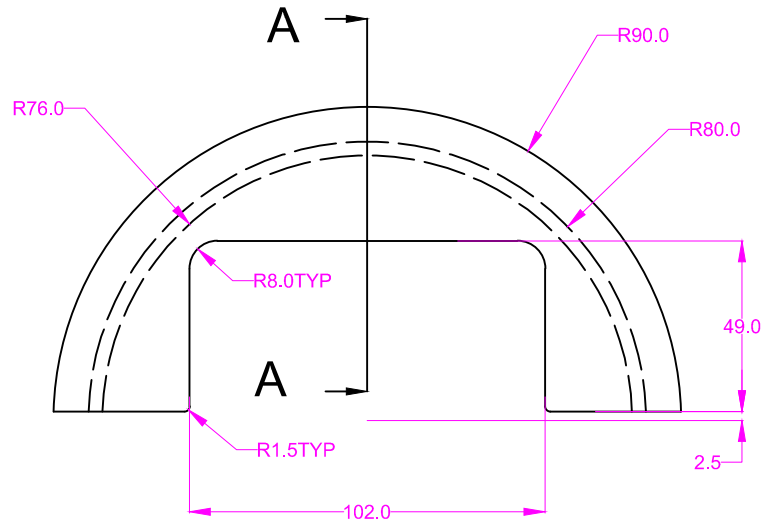
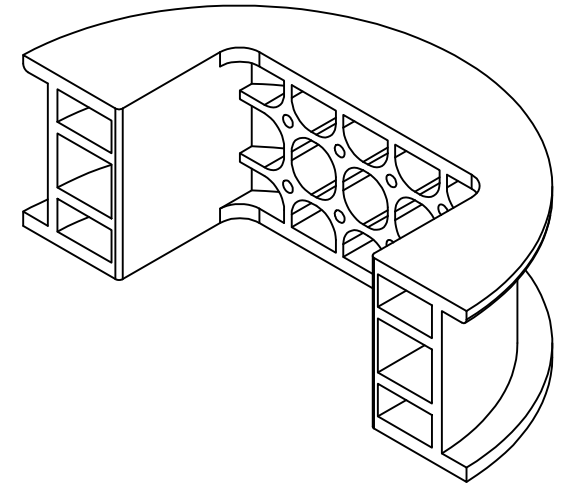
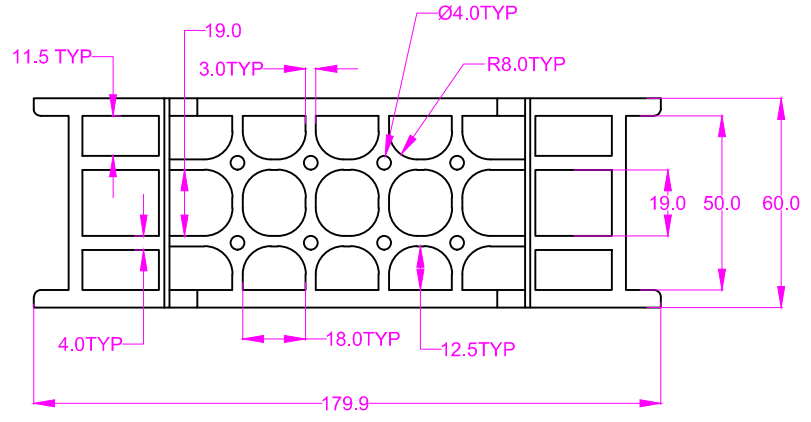


THIS DOCUMENT AND THE INFORMATION CONTAINED HEREIN IS THE PROPERTY OF POLY FLUORO LTD. AND MAY NOT BE COPIED OR USED FOR ANY PURPOSE OTHER THAN THAT FOR WHICH IT IS SUPPLIED, WITHOUT THE EXPRESS WRITTEN AUTHORITY OF POLY FLUORO LTD. 260A, BOMMASANDRA INDL. AREA HOSUR ROAD BANGALORE 560 099, INDIA



Section A-A



0	ISSUED FOR ENQUIRY	09/10/2019	HHP	AS
REV	DESCRIPTION	DATE	CHK'D	APP'D



PROJECT : **SOLAR TRACKER BEARING**
 DRAWING NO. : **PFL/SLB -001**
 TITLE : **SOLAR TRACKER BEARING 100SQ**

General tolerances are as per DIN ISO 2768	
0.5-3mm	±0.15
Above 3-6mm	±0.25
Above 6-30mm	±0.5
Above 30-120mm	±0.8
Above 120-400mm	±1.2

DRAWN	CHECKED	APPROVED	SCALE :	NTS
HHP	HHP	AS	ALL DIMENSION ARE IN MM	
			SHEET: 1 OF 1	REV : 0

NOTE :
 1. Material : Helioglide 955
 2. Part should be free from burrs and scores.