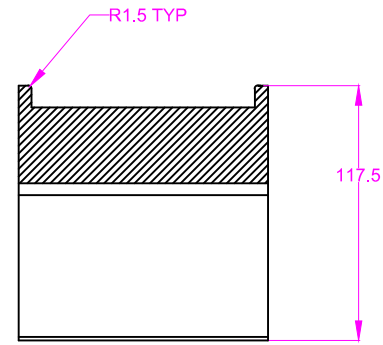
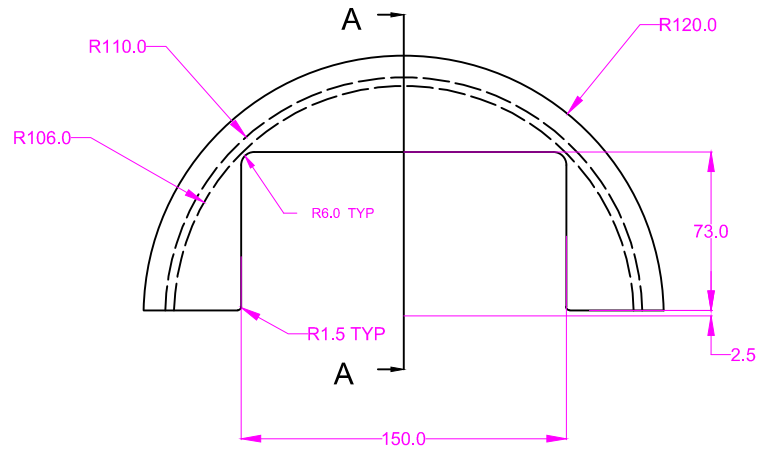
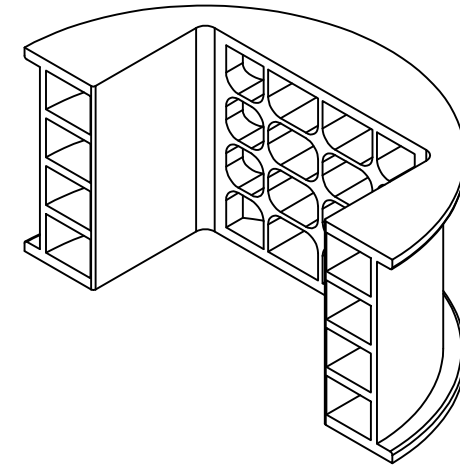
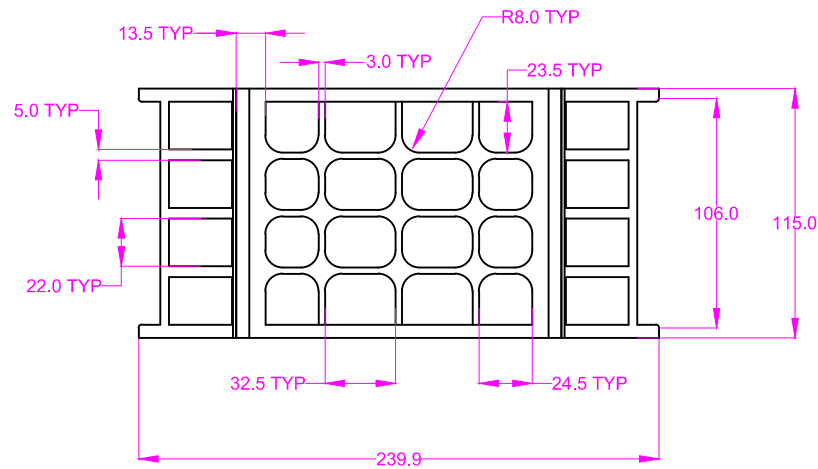


THIS DOCUMENT AND THE INFORMATION CONTAINED HEREIN IS THE PROPERTY OF POLY FLUORO LTD. AND MAY NOT BE COPIED OR USED FOR ANY PURPOSE OTHER THAN THAT FOR WHICH IT IS SUPPLIED, WITHOUT THE EXPRESS WRITTEN AUTHORITY OF POLY FLUORO LTD., 260A, BOMMASANDRA INDL. AREA, HOSUR ROAD, BANGALORE 560 099, INDIA



Section A-A



NOTE :

1. Material : HelioGlide 955
2. Part should be free from burrs and scores.

0	ISSUED FOR ENQUIRY	02/11/2018	GIRI	AS
REV	DESCRIPTION	DATE	CHK'D	APP'D



PROJECT :	ENSILECTRIC, S.A
DRAWING NO. :	PFL/ENS/001
TITLE :	SOLAR TRACKER BEARING 150SQ

General tolerances are as per DIN ISO 2768	
0.5-3mm	±0.15
Above 3-6mm	±0.25
Above 6-30mm	±0.5
Above 30-120mm	±0.8
Above 120-400mm	±1.2

DRAWN	CHECKED	APPROVED	SCALE :	NTS
HHP	GIRI	AS	ALL DIMENSION ARE IN MM	
			SHEET: 1 OF 1	REV : 0